

NEW CANDESCENT-LED

480V CONVERSION

NC-LED-ETR480/277-375W

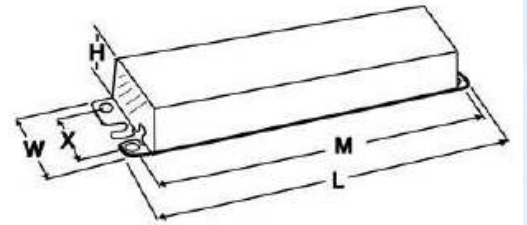


Application

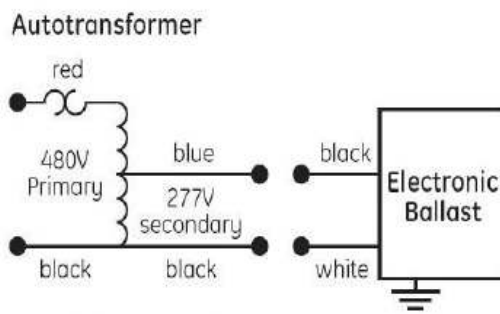
LED Retrofit Kits makes it simple to r3eplace: parking lot lighting, shoebox lighting, street lighting, flood lighting, wall pack lighting, high bay and canopy lighting.

Features

- Precision– wound coils, ensuring even heat dissipation and the highest electrical integrity.
- Non– Isolated autotransformer deigned specifically for lighting applications to step down 480V TO 277V or 347V to 200V with universal voltage 120-277V ballast.
- For use with one or more electronic 277V or universal voltage ballast within max total system power of autotransformer.
- 480 Vrms Input, 60Hz only, 277Vrms full load output
- Internal Auto Reset Thermal Protector Rated 100C
- For loads with total system power<375VA (480) or <270VA (347V)
- For use on single phase
- Five Year Limited Warranty



INSTALLATION DIAGRAM:



Use with Grounded 480V Systems Only



(L)11.8" x (W)1.7" x (H)1.2"
(M)11.1" (MS)0.2"

